

# Mouldings



- Smooth Flat Trim .....86
- Brickmould .....87
- Wood-Grained Flat Trim .....89
- Crown Mouldings .....90
- Crown Mouldings - Dentil.....98
- Crown Mouldings - Decorative.....100
- Crown Mouldings - Lip.....101
- Mouldings - Window & Door .....104
- Mouldings - Base Cap.....105
- Mouldings - Chair Rail.....108
- Mouldings - Fluted .....112
- Mouldings - Dentil .....113
- Mouldings - Assorted.....116
- Moulding Accessories .....117
- Combination Crown  
E-Vent™ System.....118
- Massive Crown E-Vent™ System...119

## IT'S ALL IN THE DETAILS.

Discover a variety of options, ranging from simple to ornate. Our portfolio of beautiful, inspired styles is available in a range of sizes and combinations, ideal for adding character to any home.

**Product Shown:**  
 Flat Trim  
 Crown Moulding  
 Base Trim



# Mouldings

## HOW TO USE THIS SECTION

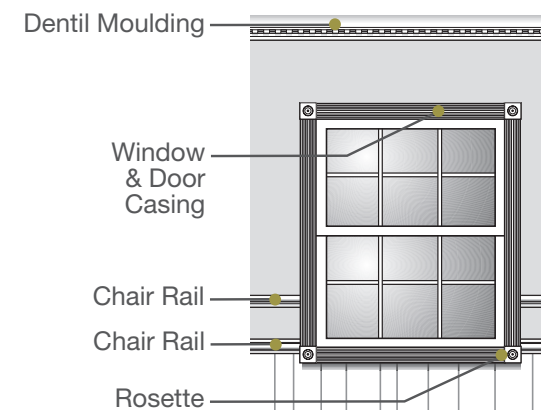
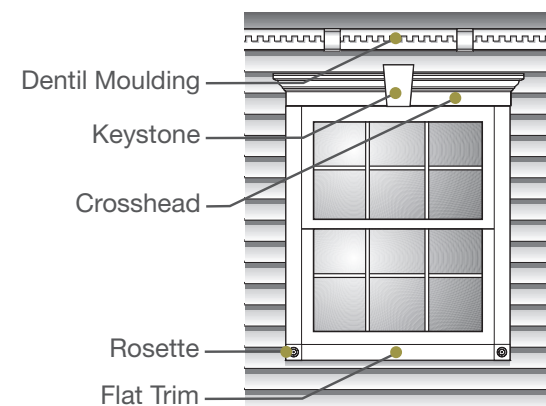
The products in this section of the catalog are organized by moulding type. You can find a variety of products to match the aesthetics of almost any application conveniently grouped together. Where applicable, groups of mouldings are further sorted by height, from smallest to largest.

## HOW TO ORDER

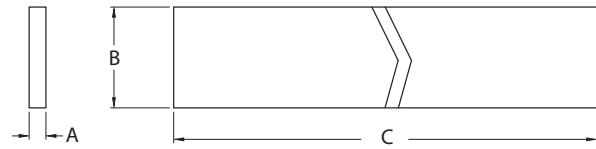
### Moulding Accessories

Accessories are available to help make moulding installations quick and easy. Rosettes can be used between moulding lengths to eliminate the need for patching to create smooth seams. All rosettes are unattached and must be ordered separately.

## MOULDING APPLICATIONS



# Smooth Flat Trim



Part Number	Thickness (A)	Width (B)	Length (C)	Accessories
FLT131-16	1/2"	3"	16'	—
FLT178-8	1/2"	14"	8'	—
FLT100-12	5/8"	4-3/4"	12'	—
FLT181-8	5/8"	24"	8'	—
FLT1X3-12	3/4"	2-1/2"	12'	—
FLT101-12	3/4"	1-1/2"	12'	—
FLT102-10	3/4"	2-1/8"	10'	—
FLT103-12	3/4"	3"	12'	PB3X3, PB4X4
FLT122-16	3/4"	3-1/2"	16'	—
FLT110-16	3/4"	5-1/2"	16'	—
FLT109-12	3/4"	6"	12'	—
FLT186-16	3/4"	7-1/4"	16'	—
FLT113-8	3/4"	8"	8'	—
FLT118-8	3/4"	10"	8'	—
FLT152-8	1"	3-1/2"	8'	4F Arches
FLT152-12	1"	3-1/2"	12'	4F Arches
FLT152-16	1"	3-1/2"	16'	4F Arches
FLT153-12	1"	4"	12'	—
FLT159-8	1"	5-1/2"	8'	6F Arches, PB6X6
FLT159-12	1"	5-1/2"	12'	6F Arches, PB6X6
FLT159-16	1"	5-1/2"	16'	6F Arches, PB6X6
FLT162-8	1"	7-1/2"	8'	PB7X7, K8TF
FLT162-14	1"	7-1/2"	14'	PB7X7, K8TF
FLT170-12	1"	9-1/2"	12'	—
FLT170-16	1"	9-1/2"	16'	—
FLT172-16	1"	11-1/2"	16'	—

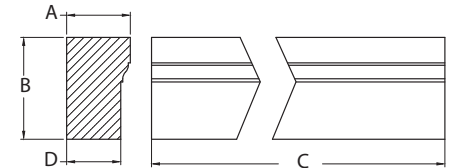
Note: In order by thickness. Flat trim sold in packs of 4 unless otherwise noted.  
 \*Sold in quantities of 1 per box.  
 \*\*Sold in quantities of 2 per box.  
 Parts may be required to ship LTL (less than truckload) based on size and overall dimensions.



# Smooth Flat Trim

Part Number	Thickness (A)	Width (B)	Length (C)	Accessories
FLT175-12	1"	12"	12'	—
FLT179-12	1"	16"	12'	—
FLT180-12*	1"	24"	12'	—
FLT119-17*	1"	32-1/4"	16' 11"	—
FLT125-8*	1"	36"	8'	—
FLT40X96**	1"	40"	8'	—
FLT194-10	1-1/2"	3-1/2"	10'	—
FLT183-12	1-1/2"	5-1/2"	12'	—
FLT163-16	1-1/2"	7-1/2"	16'	—
FLT182-12	1-1/2"	12-1/4"	12'	—
FLT185-12*	1-1/2"	16-1/2"	12'	—
FLT190-12	2"	4"	12'	—

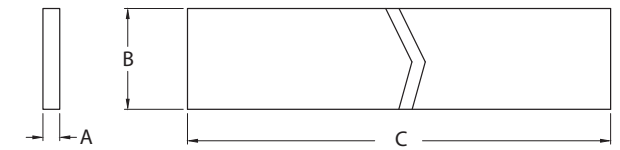
# Brickmould



Part Number	Projection (A)	Height (B)	Length (C)	Bottom Thickness (D)	Accessories
MLDWM180-8	1-1/4"	2"	8'	1-1/2"	Keystone KWM180M Page 55
MLDWM180-16	1-1/4"	2"	16'	1-1/2"	
MLDWM181-16	3/4"	2"	16'	5/8"	
MLDWM182-12	1-1/4"	3"	12'	1-1/8"	



## Wood-Grained Flat Trim


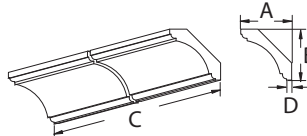
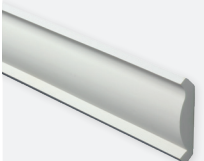
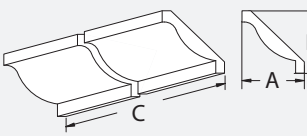

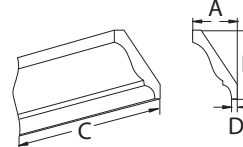
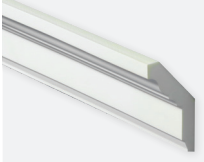
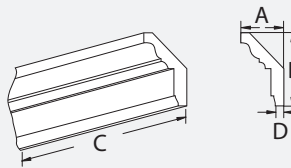

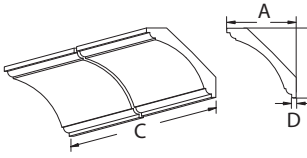
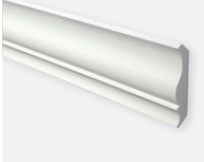
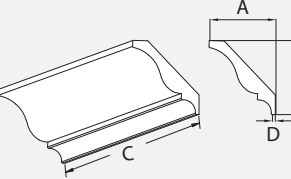

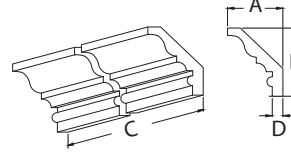

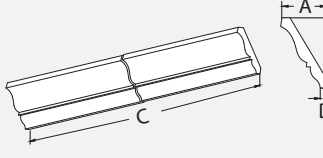


Part Number	Thickness (A)	Width (B)	Length (C)
FLT1X4-12RS	3/4"	3-1/2"	12'
FLT151-12S	3/4"	3-1/2"	12'
FLT110-12S	3/4"	5-1/2"	12'
FLT187-12S	3/4"	7-1/2"	12'
FLT173-12S	3/4"	11-1/2"	12'
FLT30X228X1S*	1"	30"	19'
FLT150-12S	1-1/2"	3-1/2"	12'
FLT111-12S	1-1/2"	5-1/2"	12'
FLT197-12S	1-1/2"	7-1/2"	12'
FLT192-12S	1-1/2"	11-1/2"	12'
FLT9X4X216S**	3-1/2"	8-1/2"	18'




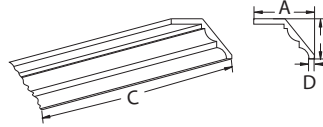
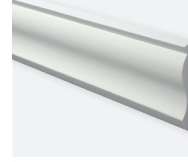
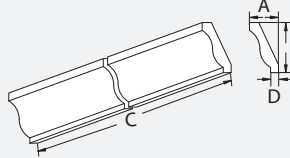
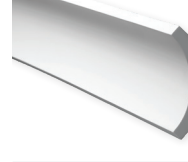
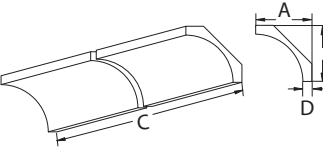
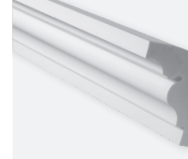
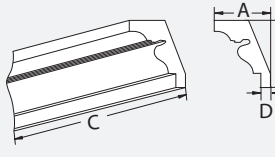
Note: In order by thickness.  
 \*Sold in quantities of 1 per box.  
 \*\*Sold in quantities of 2 per box.  
 Parts may be required to ship LTL (less than truckload) based on size and overall dimensions.

# Crown Mouldings





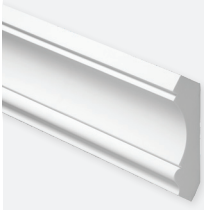


	Part Number	Projection (A)	Height (B)	Length (C)	Bottom Thickness (D)	
	MLD593-16	2-1/2"	2-1/2"	16'	1/4"	
	MLD451-16	3-1/8"	3"	16'	1/2"	
	MLD452-12	2"	3"	12'	1/4"	
	MLD552-12	2-1/8"	3-1/2"	12'	3/8"	
	MLD592-16	3-3/4"	3-7/8"	16'	1/4"	
	MLD454-12	3-5/8"	4-1/8"	12'	1/4"	
	MLD572-16	3-1/4"	4-1/4"	16'	5/8"	
	MLD456-16	2-3/4"	4-3/8"	16'	1/4"	





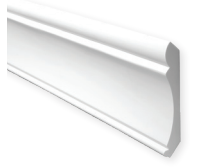
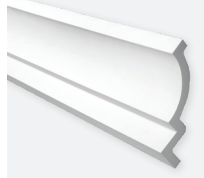
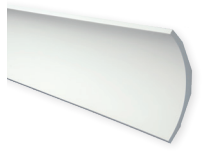
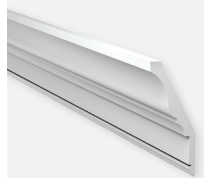
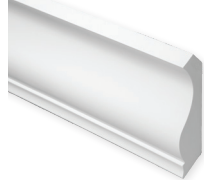
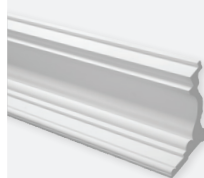
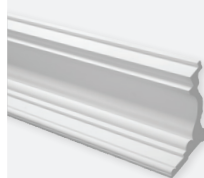
# Crown Mouldings

	Part Number	Projection (A)	Height (B)	Length (C)	Bottom Thickness (D)	
	MLD471-12	7-1/8"	4-5/8"	12'	5/8"	
	MLD467-16	2-3/4"	4-3/4"	16'	3/4"	
	MLD584-16	4-3/4"	4-3/4"	16'	3/4"	
	MLD460-12	4-3/8"	5-1/8"	12'	3/4"	

# Crown Mouldings

Part Number	Projection (A)	Height (B)	Length (C)	Bottom Thickness (D)
 MLD606-12	5-1/4"	5-1/4"	12'	1/4"
 MLD1037-12	3-1/8"	5-5/8"	12'	1/4"
 MLD587-16	2-3/8"	5-3/4"	16'	3/8"
 MLD590-16	6"	6-1/4"	16'	1"
 MLD589-16	4-3/8"	6-1/2"	16'	1-1/8"
 MLD453-16	4-3/4"	6-3/4"	16'	1/2"
 MLD570-12	5-1/2"	6-7/8"	12'	3/4"

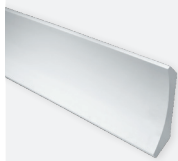
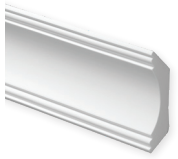



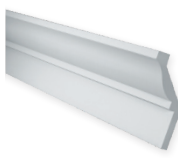

# Crown Mouldings

Part Number	Projection (A)	Height (B)	Length (C)	Bottom Thickness (D)
 MLD569-12	5-3/4"	7-1/2"	12'	1-1/8"
 MLD253-16	2-3/8"	7-5/8"	16'	3/8"
 MLD457-12	6-7/8"	7-5/8"	12'	3/4"
 MLD582-12	7-7/8"	7-7/8"	12'	2-3/8"
 MLD583-16	8"	8"	16'	1/2"
 MLD1001-12	4-1/8"	8-1/8"	12'	1/8"
 MLD1002-12	5-1/8"	10-1/8"	12'	1/8"
 MLD449-16	7-1/8"	8-1/2"	16'	1/8"
 MLD480-12 Ships in two pieces.	7-7/8"	8-7/8"	12'	3/8"

Mouldings

Mouldings

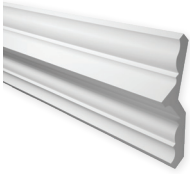
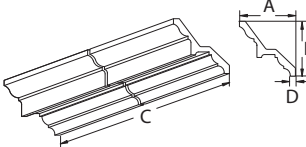

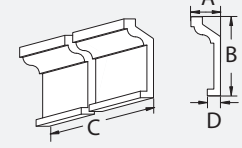

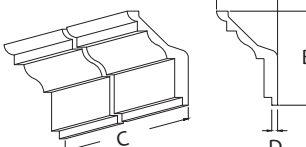
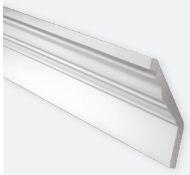
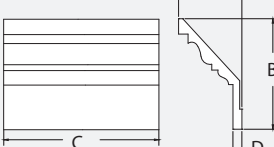


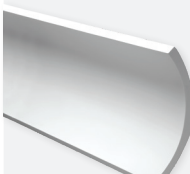
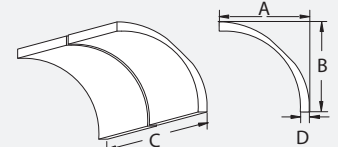
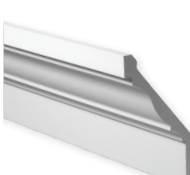
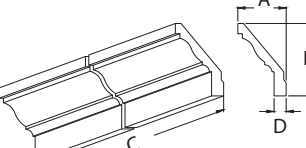
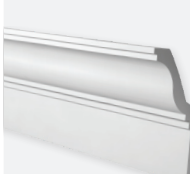
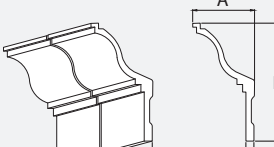
# Crown Mouldings

Part Number	Projection (A)	Height (B)	Length (C)	Bottom Thickness (D)
 MLD635-12	6"	9"	12'	5/8"
 MLD591-16	10-1/4"	9-1/2"	16'	1"
 MLD535-16	9"	9-1/2"	16'	1/2"
 MLD450-16	11-1/2"	9-5/8"	16'	1-1/2"
 MLD555-12	5-1/4"	10-3/4"	12'	7/8"
 MLD371-16	6-1/2"	11"	16'	1"
 MLD588-16	9-1/4"	11"	16'	1-3/4"



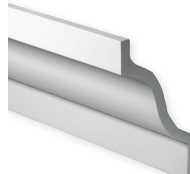
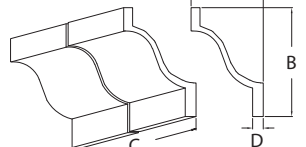
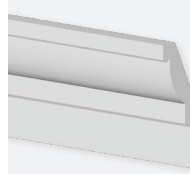
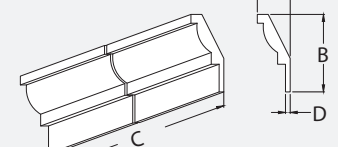

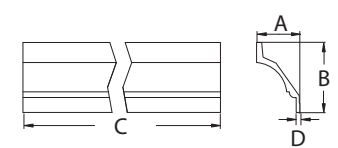
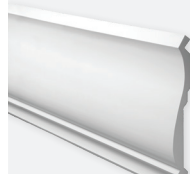
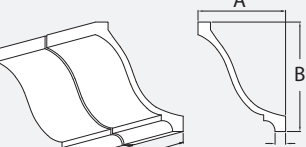
Mouldings

# Crown Mouldings

	Part Number	Projection (A)	Height (B)	Length (C)	Bottom Thickness (D)	
	MLD642-12	12"	11-3/4"	12'	1-3/8"	
	MLD539-16	4-1/2"	12"	16'	2"	
	MLD524-16	8"	12-1/8"	16'	1"	
	MLD580-12	7-1/8"	12-3/8"	12'	1"	
	MLD372-14	8-1/4"	13-7/8"	14'	3/4"	
	MLD734-12	14-3/8"	14-3/8"	12'	1-1/4"	
	MLD556-16	10"	15"	16'	2-1/2"	
	MLD536-12	8-1/8"	15-1/2"	12'	1"	





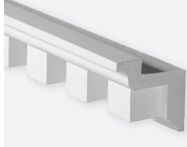



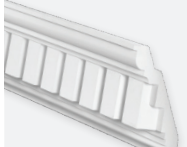
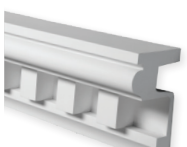

# Crown Mouldings

	Part Number	Projection (A)	Height (B)	Length (C)	Bottom Thickness (D)	
	MLD528-12	9-1/2"	15-3/4"	12'	1-1/2"	
	MLD586-16	7"	16-1/2"	16'	1"	
	MLD585-12	10-1/2"	17"	12'	7/8"	
	MLD481-12	14"	17-1/2"	12'	1-3/4"	



# Crown Mouldings

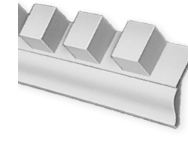


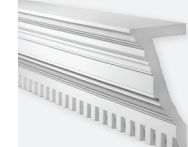

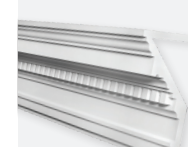
Dentil

Part Number	Projection (A)	Height (B)	Length (C)	Bottom Thickness (D)	Design Repeat	Tooth & Space
 MLD404-16	2-1/2"	3-7/8"	16'	1/4"	1-1/2"	3/4" Tooth 3/4" Space
 MLD406-16	3-3/8"	4"	16'	3/8"	2"	1-1/4" Tooth 3/4" Space
 MLD365-16	5"	5"	16'	3/8"	4-5/8"	2-1/4" Tooth 2-3/8" Space
 MLD410-12	3-1/4"	6-7/8"	12'	1/2"	3"	1-1/2" Tooth 1-1/2" Space
 MLD411-16	4-1/2"	7"	16'	1/2"	3"	1-1/2" Tooth 1-1/2" Space
 MLD440-12	6-1/2"	7-1/4"	12'	3/8"	6-5/8"	4" Tooth 2-5/8" Space
 MLD430-12	5-3/4"	8"	12' 2-1/4"	1/4"	2-5/8"	1-3/4" Tooth 7/8" Space
 MLD362-16	5-1/8"	8-3/8"	16'	1-1/4"	4-1/2"	2" Tooth 2-1/2" Space
 MLD336-16	3-1/8"	9-3/8"	16' 1"	3/4"	5"	2-1/2" Tooth 2-1/2" Space



# Crown Mouldings








Dentil

Part Number	Projection (A)	Height (B)	Length (C)	Bottom Thickness (D)	Design Repeat	Tooth & Space
 MLD435-16	9"	10"	16'	3/4"	7-3/8"	3-7/8" Tooth 3-1/2" Space
 MLD412-16	5-3/8"	10-5/8"	16'	1/2"	4"	3" Tooth 1" Space
 MLD413-12	8-1/2"	11-1/8"	12'	1-1/2"	5-5/8"	3" Tooth 2-5/8" Space
 MLD419-12	6-3/4"	14-1/2"	12'	1-3/8"	3"	1-1/2" Tooth 1-1/2" Space
 MLD421-12	10"	14-1/2"	12'	3/4"	6"	2" Tooth 4" Space
 MLD461-8	9-7/8"	19"	8'	1"	2-1/2"	1-1/2" Tooth 1" Space



# Crown Mouldings


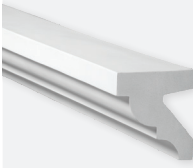

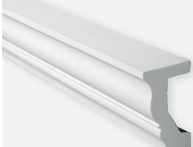
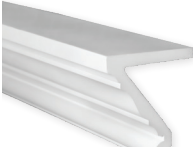
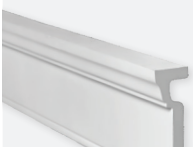



Decorative

Part Number	Projection (A)	Height (B)	Length (C)	Bottom Thickness (D)	Design Repeat
 MLD562-8 Egg & Dart	2-3/8"	3"	8' 5"	1/2"	6-1/8"
 MLD600-10 Florentine	3/4"	4-1/4"	10'	1/4"	5-5/8"
 MLD490-12 Florentine	6"	5-1/2"	11' 5"	1/4"	—
 MLD640-8 Scalloped	1"	5-3/4"	8'	1"	6"
 MLD493-12 Crown Leaf	5-1/2"	6-5/8"	12'	3/8"	4"
 MLD732-12	4-3/4"	7-1/4"	12'	5/8"	5-3/8"
 MLD425-12	4-1/8"	9-1/2"	11' 5"	3/4"	13-1/2"

5/8" Tooth, 13/16" Space

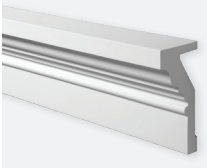
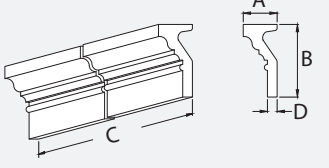
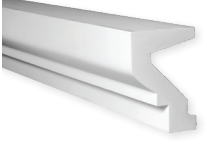
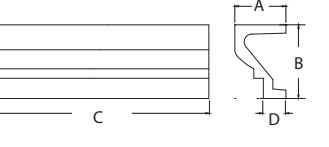
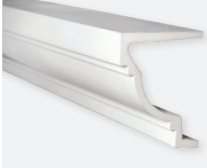
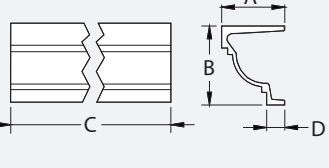
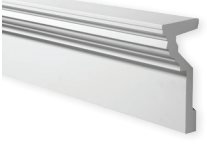
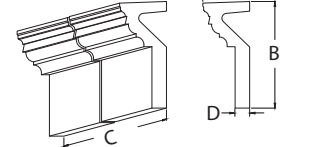

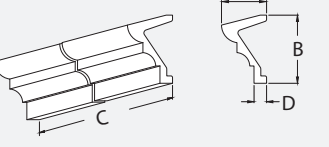

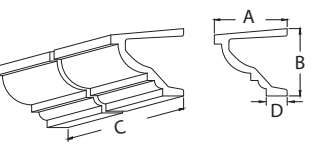
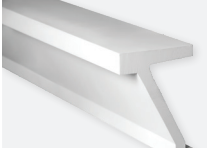
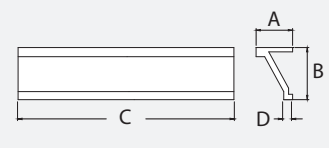

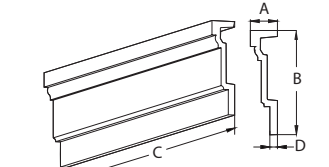

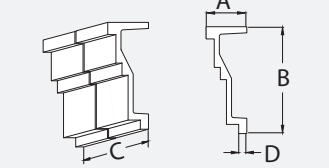
# Crown Mouldings

Lip

Part Number	Projection (A)	Height (B)	Length (C)	Bottom Thickness (D)
 MLD240-8	3-1/4"	4"	8'	3/4"
 MLD513-16	4-1/8"	4-3/8"	16'	3/4"
 MLD523-16	2"	5-1/4"	16'	1/2"
 MLD509-16	3-1/4"	5-3/8"	16'	1-3/4"
 MLD510-12	4-3/8"	5-1/2"	12'	5/8"
 MLD226-10	1-1/2"	5-1/2"	10'	3/4"
 MLD226-12	1-1/2"	5-1/2"	12'	3/4"
 MLD226-16	1-1/2"	5-1/2"	16'	3/4"
 MLD511-12	5-3/4"	6-1/2"	12'	3/4"
MLD548-16	3-1/8"	7-1/2"	16'	1-1/8"

# Crown Mouldings

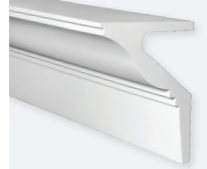
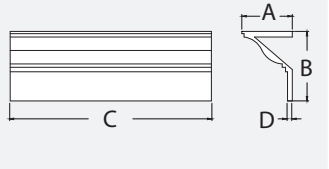

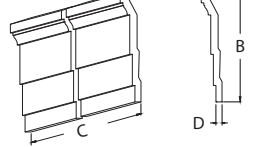

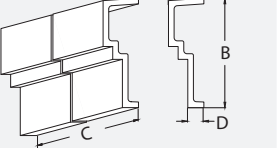

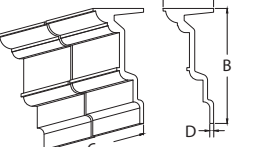
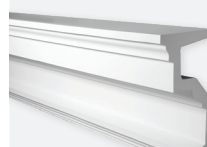
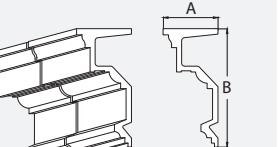
Lip

	Part Number	Projection (A)	Height (B)	Length (C)	Bottom Thickness (D)	
	MLD527-16	3-1/2"	7-5/8"	16'	1"	
	MLD311-16	5-3/8"	7-3/4"	16'	2-3/8"	
	MLD520-16	6-1/8"	8-1/8"	16'	1-7/8"	
	MLD508-12	3-5/8"	8-3/8"	12'	1-1/8"	
	MLD547-16	5-3/8"	8-5/8"	16'	1-1/2"	
	MLD545-12	10"	9-1/8"	12'	2-7/8"	
	MLD512-16	8-1/2"	12-1/8"	16'	2-1/8"	
	MLD505-8 Massive Fascia	3-3/8"	13"	8'	1"	
	MLD521-8	5"	13-1/8"	8'	1"	



# Crown Mouldings

Lip

	Part Number	Projection (A)	Height (B)	Length (C)	Bottom Thickness (D)	
	MLD472-12	11-1/4"	15-1/2"	12'	1-1/8"	
	MLD506-16	3"	16-3/8"	16'	7/8"	
	MLD533-12	5-1/2"	17"	12'	2-1/2"	
	MLD543-12	8-1/4"	19"	12'	1/2"	
	MLD534-12	8-7/8"	19-1/8"	12'	1/2"	




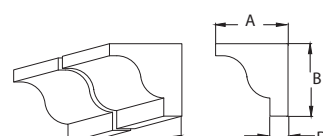
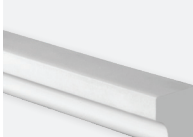
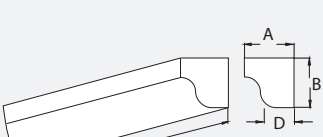
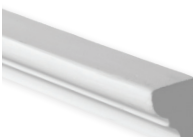
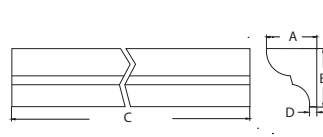
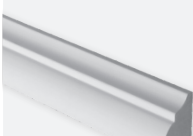
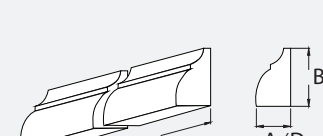

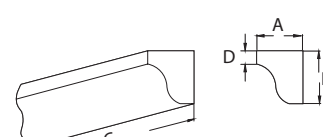
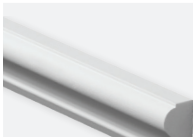
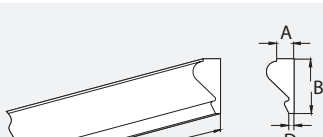

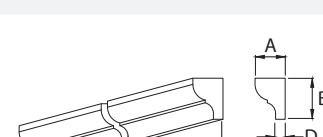


## Mouldings

Window & Door

Part Number	Projection (A)	Height (B)	Length (C)	Bottom Thickness (D)	
 MLD637-16 Flat Astragal	1/2"	1-1/2"	16'	3/4"	
 MLD710-10 Sill	3-1/2"	1-1/2" Tapers to 1"	10'	—	
 MLD231-12 Window & Door Casing	1"	1-3/4"	12'	1/4"	
 MLD214-12 Window & Door Casing	2"	2-7/8"	12'	3/4"	
 MLD234-16 Window & Door Casing	1"	3-1/2"	16'	3/8"	

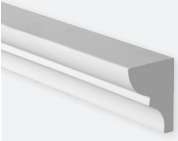


## Mouldings

Base Cap

Part Number	Projection (A)	Height (B)	Length (C)	Bottom Thickness (D)	
 MLD633-8	3/4"	3/4"	8'	1/4"	
 MLD602-8 Crosshead Trim Strip	3/4"	3/4"	8'	1/4"	
 MLD626-8	1-1/8"	1-1/4"	8'	1/8"	
 MLD618-16 Base Cap	1"	1-1/2"	16'	1"	
 MLD601-12	1-1/4"	1-1/2"	12'	3/8"	
 MLD612-12	3/4"	1-3/8"	12'	1/8"	
 MLD634-16	1-3/8"	1-7/8"	16'	1/4"	
 MLD627-16	1-5/8"	2-1/8"	16'	1/2"	

# Mouldings


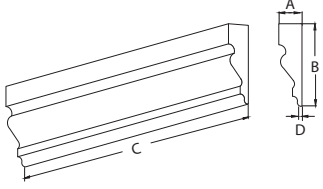

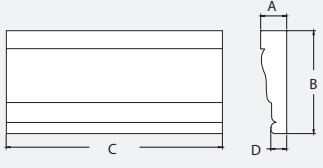

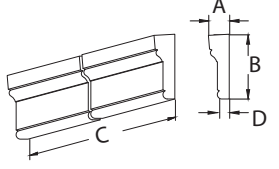

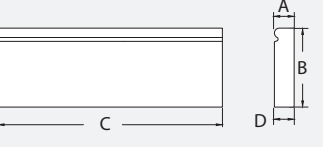
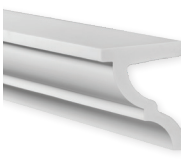
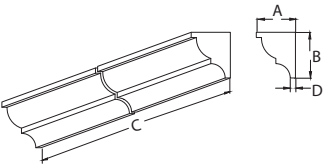
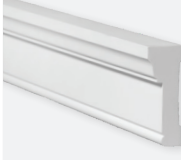
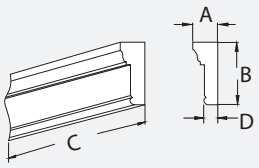


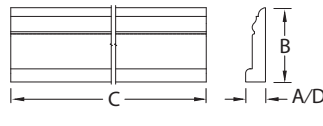


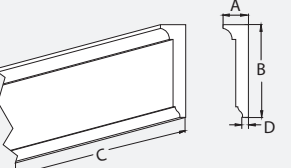
## Base Cap

Part Number	Projection (A)	Height (B)	Length (C)	Bottom Thickness (D)
 MLD649-16	1-1/2"	2-1/8"	16'	3/8"
 MLD611-12	1-1/8"	2-1/4"	12'	3/8"
 MLD629-10	2-1/4"	2-1/4"	10'	3/8"
 MLD610-8	1-1/2"	2-3/8"	8'	1/2"
 MLD613-12	2-3/8"	2-3/4"	12'	1"
 MLD631-16	7/8"	3"	16'	1/2"
 MLD625-16	3"	4"	16'	1-1/2"
 MLD706-16 Base Trim	5/8"	5-1/4"	16'	—
 MLD614-16	1-5/8"	5-1/2"	16'	3/4"




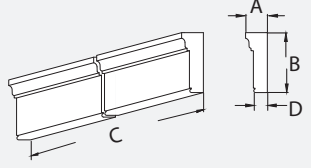

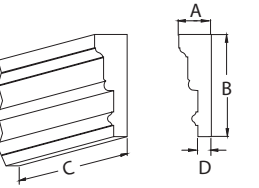

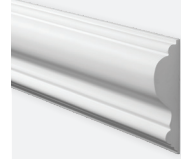
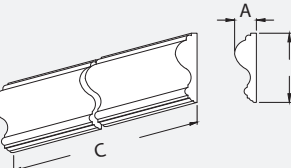

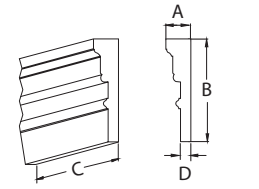


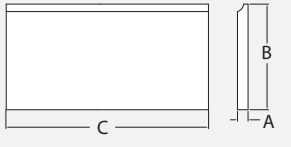

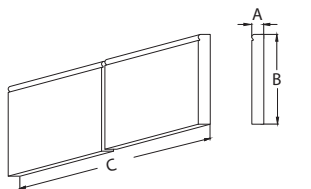

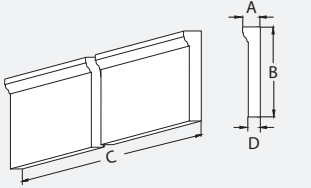
# Mouldings

Chair Rail

	Part Number	Projection (A)	Height (B)	Length (C)	Bottom Thickness (D)	
	MLD621-16	1/2"	2"	16'	18"	
	MLD230-16	3/4"	3-1/4"	16'	1/2"	
	MLD237-16	1-1/8"	3-1/2"	16'	3/8"	
	MLD715-16 Beaded	1"	4"	16'	—	
	MLD641-16	3-3/4"	4-3/8"	16'	1/2"	
	MLD250-8	1-3/4"	4-1/2"	8'	1"	
	MLD250-12	1-3/4"	4-1/2"	12'	1"	
	MLD1019-12	1-1/8"	5-1/4"	12'	1-1/8"	
	MLD1020-12	1-1/8"	7-1/4"	12'	1-1/8"	
	MLD224-12	1-1/2"	5-1/2"	12'	3/8"	

# Mouldings

Chair Rail

	Part Number	Projection (A)	Height (B)	Length (C)	Bottom Thickness (D)	Accessories	
	MLD236-16	2"	5-1/2"	16'	1-1/4"		
	MLD220-12 6M Profile	1-3/4"	5-1/2"	12'	3/4"	K6TM KP6TM	
	MLD220-16 6M Profile	1-3/4"	5-1/2"	16'	3/4"		
	MLD639-16	1-7/8"	6-1/4"	16'	—	—	
	MLD221-8	1-3/4"	7"	8'	3/4"	—	
	MLD221-16	1-3/4"	7"	16'	3/4"		
	MLD705-16 Cove	3/4"	7-1/2"	16'	—	—	
	MLD735-16 Beaded	1"	7-1/2"	16'	—		
	MLD232-16	1-1/2"	7-7/8"	16'	1-1/8"		


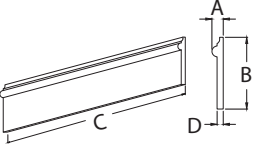

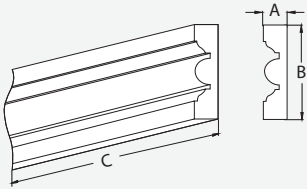

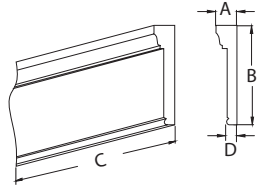

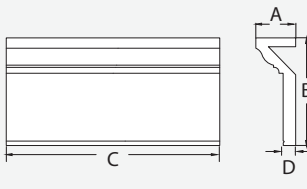
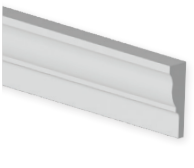
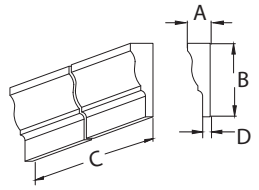

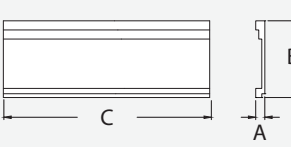

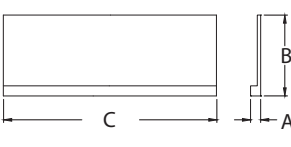

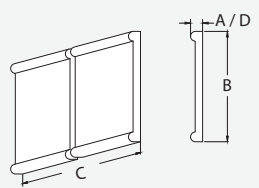
Mouldings

Mouldings



# Mouldings

## Chair Rail


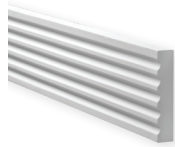
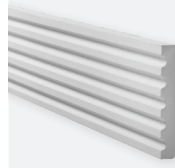
	Part Number	Projection (A)	Height (B)	Length (C)	Bottom Thickness (D)	
	MLD247-16	1-3/8"	8-3/4"	16'	3/4"	
	MLD245-12	2"	8-3/4"	12'	—	
	MLD227-16	1-1/2"	9"	16'	3/4"	
	MLD246-16	3-3/8"	9-1/8"	16'	1"	
	MLD644-16	3"	9-3/4"	16'	1"	
	MLD530-8 Coordinates with MLD531-8	1-1/2"	12-5/8"	8'	—	
	MLD531-8 Coordinates with MLD530-8	1-1/2"	12"	8'	—	
	MLD522-16	1-5/8"	14-3/4"	16'	1-5/8"	

Parts may be required to ship LTL (less than truckload) based on size and overall dimensions.



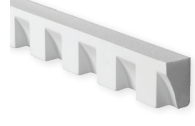







## Mouldings

Fluted

Part Number	Projection (A)	Height (B)	Length (C)	Bottom Thickness (D)	Accessories
 MLD205-12	7/8"	3"	12'	—	PB3X3, PB4X4
 MLD207-16	1"	5-1/4"	16'	1"	PB6X6
 MLD208-16	1"	7-1/4"	16'	1"	—

## Mouldings


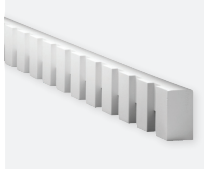


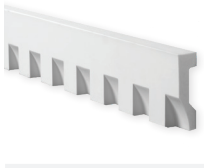






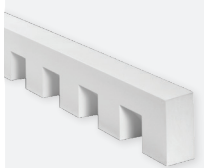
Dentil

Part Number	Projection (A)	Height (B)	Length (C)	Bottom Thickness (D)	Design Repeat	Tooth & Space
 MLD303-5 WCHX6 Dentil Trim	5/8"	1-1/4"	5'	1/4"	1-1/2"	3/4" Tooth 3/4" Space
 MLD357-8 CHTX6 Dentil Trim	1/2"	1-1/4"	8'	—	1-1/2"	3/4" Tooth 3/4" Space
 MLD304-8 WCHX9 Dentil Trim	5/8"	1-1/4"	8'	1/4"	2-1/2"	1-1/4" Tooth 1-1/4" Space
 MLD358-8 CHTX9 Dentil Trim	1/2"	1-1/2"	8'	—	2"	1" Tooth 1" Space
 MLD313-8	2-1/4"	2-3/8"	8'	1/4"	2"	1" Tooth 1" Space
 MLD355-8	5/8"	2-1/2"	8' 3/8"	—	2-1/8"	1-3/8" Tooth 3/4" Space
 MLD354-12	1"	3-3/8"	12' 2-1/4"	—	3-1/4"	1-5/8" Tooth 1-5/8" Space
 MLD351-8	1-1/4"	3-1/4"	8' 2"	—	7"	3-1/2" Tooth 3-1/2" Space



# Mouldings

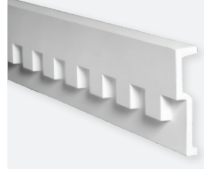
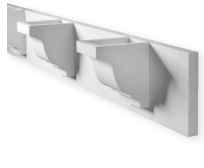
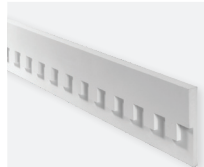
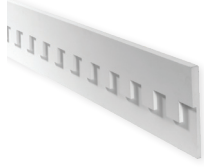

Dentil

	Part Number	Projection (A)	Height (B)	Length (C)	Bottom Thickness (D)	Design Repeat	Tooth & Space
	MLD350-8	7/8"	3-1/2"	8' 3-3/4"	1/2"	3-3/4"	2-3/16" Tooth 1-1/2" Space
	MLD352-8	2"	3-1/2"	8' 3-3/4"	—	3-3/4"	2-1/4" Tooth 1-1/2" Space
	MLD360-8	3-1/2"	3-3/4"	8'	—	8"	3-3/4" Tooth 4-3/8" Space
	MLD353-8	1-1/4"	4-1/2"	8' 1/4"	—	8-3/4"	4-3/8" Tooth 4-3/8" Space
	MLD310-8	1-1/4"	4-1/2"	8'	1/2"		1-1/2" Tooth
	MLD310-12	1-1/4"	4-1/2"	12'	1/2"	3"	1-1/2" Tooth
	MLD310-16	1-1/4"	4-1/2"	16'	1/2"		1-1/2" Tooth
	MLD332-8	1-5/8"	5"	8'	7/8"	4"	2" Tooth 2" Space
	MLD320-8	1-5/8"	5-3/4"	8'	3/8"		2-3/8" Tooth
	MLD320-12	1-5/8"	5-3/4"	12'	3/8"	4-1/2"	2-1/4" Space
	MLD320-16	1-5/8"	5-3/4"	16' 1-1/2"	3/8"		2-1/4" Space
	MLD335-12	3-3/8"	6-1/8"	12'	1/2"	7-1/4"	3-1/8" Tooth 4-1/4" Space



# Mouldings


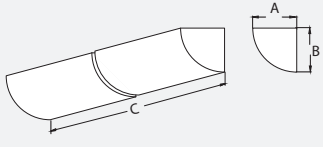

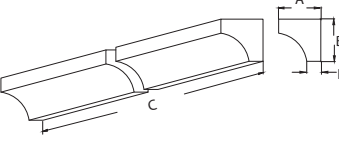

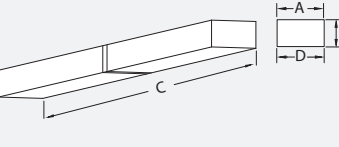

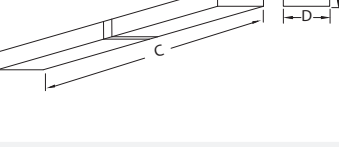
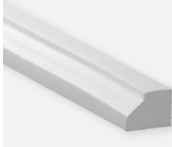
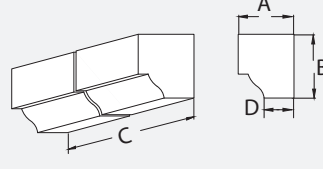

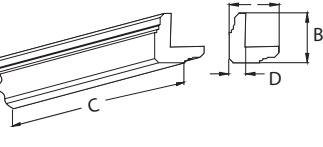

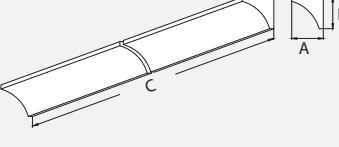
Dentil

	Part Number	Projection (A)	Height (B)	Length (C)	Bottom Thickness (D)	Design Repeat	Tooth & Space
	MLD330-12	1-5/8"	7"	12'	7/8"	4"	2" Tooth 2" Space
	MLD370-8	6-1/2"	7-1/2"	8'	1"	19-1/4"	4-3/4" Tooth 14-1/2" Space
	MLD331-16	1-3/8"	9-1/2"	16' 1-1/2"	3/4"	4-1/2"	2-1/4" Tooth 2-1/4" Space
	MLD333-12	1-3/16"	11-1/2"	12' 4-1/2"	5/8"	5-1/2"	2-3/4" Tooth 2-3/4" Space
	MLD434-16	3-3/4"	16"	15' 9"	1/8"	21"	9" Tooth 12" Space

Note: Part comes with routed channel as shown in profile line art.


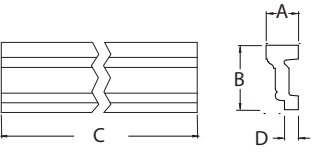
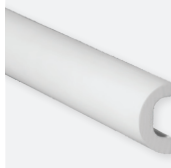
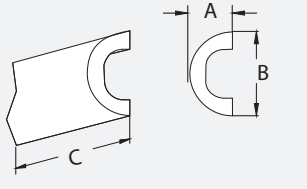
# Mouldings

Assorted

Part Number	Projection (A)	Height (B)	Length (C)	Bottom Thickness (D)	
 MLD603-8 Quarter Round	1/2"	1/2"	8'	3/4"	
 MLD628-8 Cove	3/4"	3/4"	8'	1/4"	
 MLD716-12 Bottom Trim Accessory for 6" high Distinction crosshead	1"	1"	8'	1-3/4"	
 MLD758-12 Bottom Trim Accessory for 9" high Distinction crosshead	1"	1"	8'	1-3/4"	
 MLD730-8 Stop	7/8"	1"	8'	1/4"	
 MLD607-8 Corner Strip	2-1/4"	2-1/4"	8'	3/4"	
 MLD660-10 Cove	2-3/8"	2-3/8"	10'	—	


# Mouldings

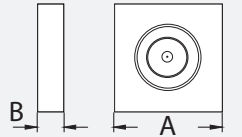
Assorted

Part Number	Projection (A)	Height (B)	Length (C)	Bottom Thickness (D)	Accessories	
 MLD215-12 4M Profile	1-3/4"	3-1/2"	12'	3/4"	K4TM KP4TM	
 MLD605-12 Half Round	1-3/4"	3-1/2"	12'	—	—	

# Moulding Accessories



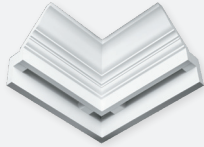


Rosettes

Part Number	Width (A)	Projection (B)	Matching Parts
PB2.5X2.5	2-1/2"	3/4"	—
PB3X3	3-5/8"	7/8"	FLT103 MLD205
PB3.5X3.5	3-1/2"	3/4"	—
 PB3.875X3.875	3-7/8"	1-1/8"	—
PB4X4	3-5/8"	1-1/8"	FLT103 MLD205 4F Arches
PB5X5	5-1/4"	1"	FLT109
PB6X6	5-5/8"	1-1/8"	FLT159 MLD706 6F Arches



# Combination Crown E-Vent™ System






570 System

Part Number	Projection (A)	Height (B)	Width / Length (C)
 <p><b>EV570</b> Moulding Matches MLD570</p>	7-7/16"	9-5/16"	144"
 <p><b>EV570B</b> Joint Block / End Cap</p>	7-1/2"	9-7/16"	1-3/4"
 <p><b>EV570MI</b> Inside Corner Ships in 2 pieces</p>	7-7/16"	9-5/16"	17"
 <p><b>EV570MO</b> Outside Corner Ships in 2 pieces</p>	7-7/16"	9-5/16"	22"
 <p><b>EVFB</b> Filler Block Fits all E-Vent Systems</p>	1-3/8"	1-15/16"	1"



# Massive Crown E-Vent™ System

580 System

Part Number	Projection (A)	Height (B)	Width / Length (C)
 <p><b>EV580</b> Moulding Matches MLD580</p>	9-1/32"	14-3/4"	144"
 <p><b>EV580B</b> Joint Block / End Cap</p>	9-1/4"	14-11/16"	1-3/4"
 <p><b>EV580MI</b> Inside Corner Ships in 2 pieces</p>	9-1/32"	14-3/4"	21-31/32"
 <p><b>EV580MO</b> Outside Corner Ships in 2 pieces</p>	9-1/32"	14-3/4"	22-1/32"
 <p><b>EVFB</b> Filler Block Fits all E-Vent Systems</p>	1-3/8"	1-15/16"	1"